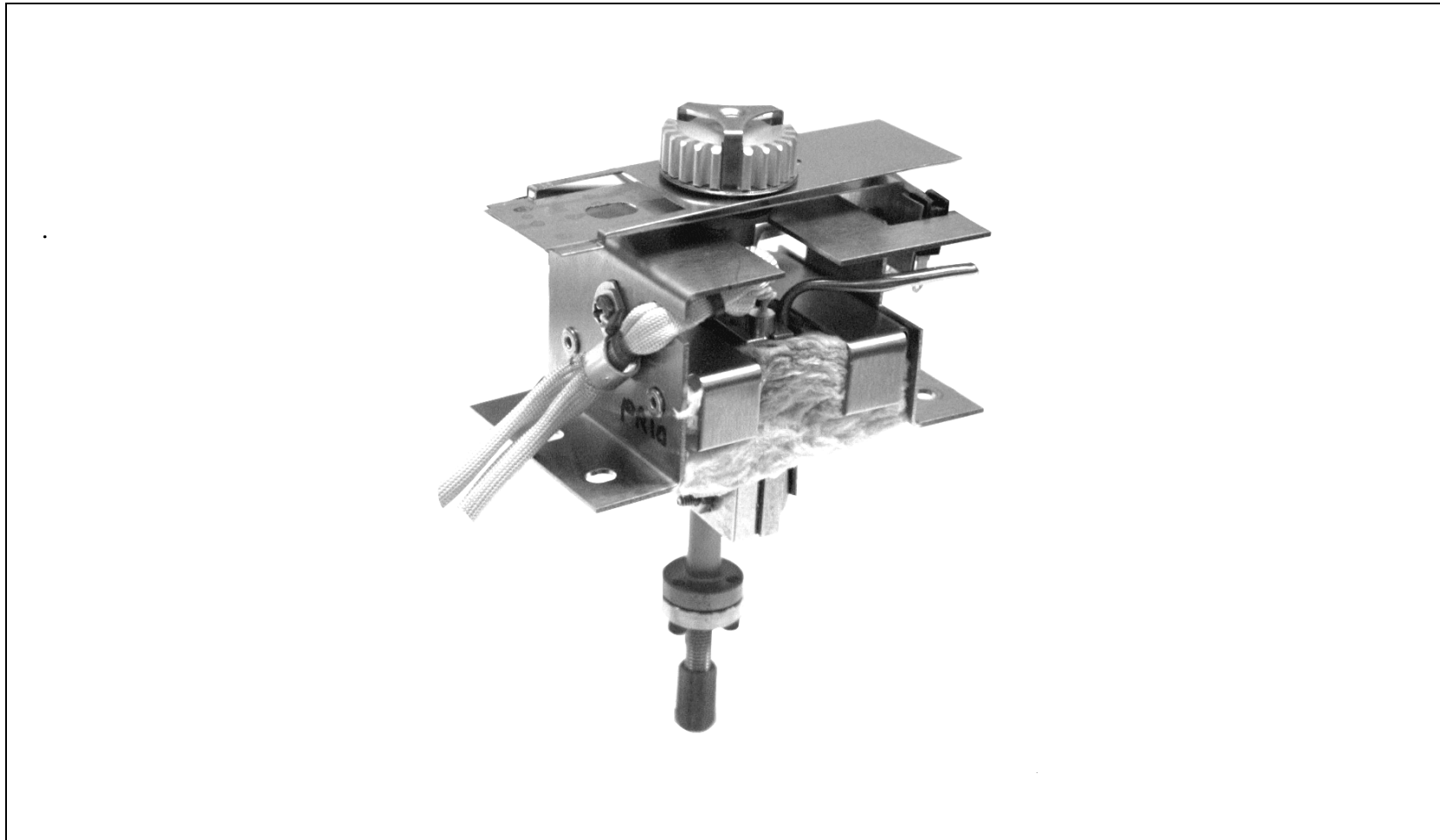


1078 INJECTOR

Subassembly



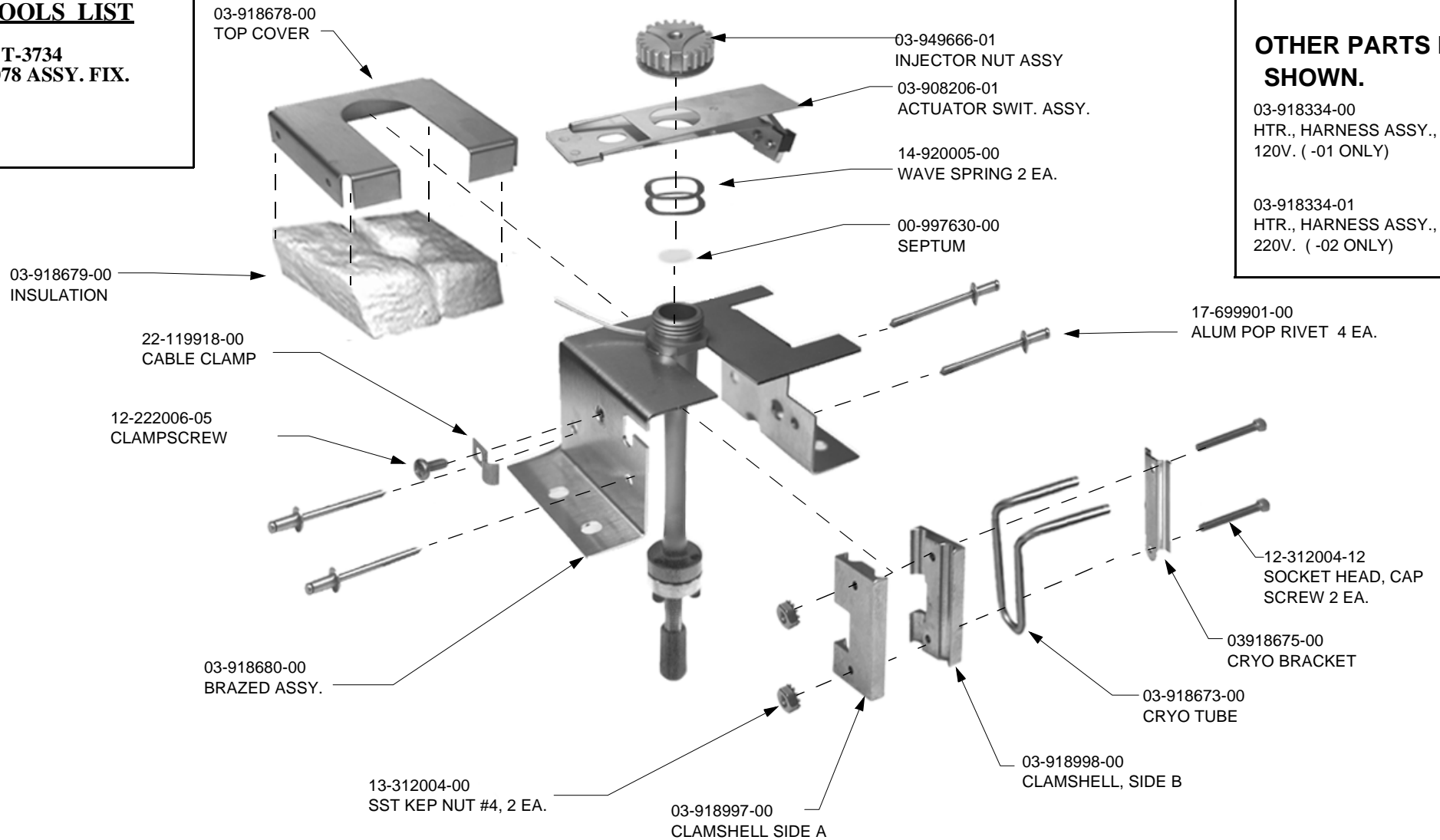
TOOLS LIST

1. T-3734
1078 ASSY. FIX.

OTHER PARTS NOT SHOWN.

03-918334-00
HTR., HARNESS ASSY.,
120V. (-01 ONLY)

03-918334-01
HTR., HARNESS ASSY.,
220V. (-02 ONLY)



OPERATION SEQUENCE

NOTE:

1. HEATER CARTRIDGE & PROBE CONTAINED BY CLAMSHELLS. END OF HEATER CARTRIDGE TO BE FLUSH WITH THE BOTTOM OF CLAMSHELLS.
2. CRYO TUBE & CLAMSHELL ASSY TO BE MOUNTED AS FAR UP THE CHAMBER TUBE AS POSSIBLE.
3. INSURE HEATER PROBE WIRES ARE NOT CROSSED AND CERAMIC BOTTOMS OUT.